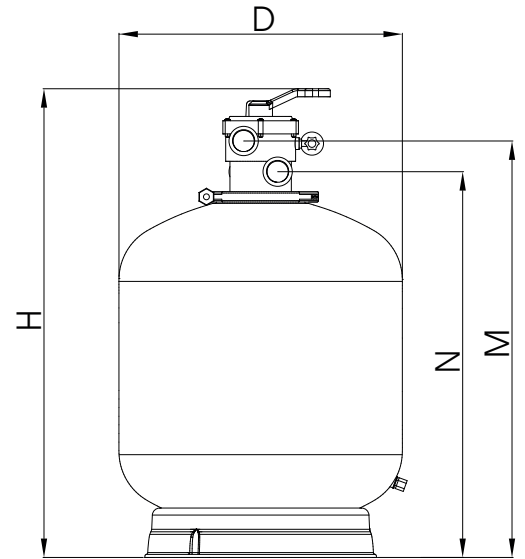


Bobbin top mount sand filter. Robust and effective
 Bobinado top. Robusto y eficaz



- **BWT sand filters** are well recognized for their strength and reliability.
- The filter tank is made of an inner fibreglass bladder with a high pressure capability.
- The gel coat layer is then continuously wound with fibreglass strands to create a high strength vessel.
- This process is recognized as one of the strongest methods of manufacturing a non corrosive high strength filter tank.
- All components are injection moulded from high strength engineering plastics.
- The multiport valve is fixed with a clamp system that is easy to remove and quickly locks in place.
- The maximum working pressure is 2,5 kgs/cm².
- **BWT sand filters** go together with valve for models using 1,5" and 2" connections.

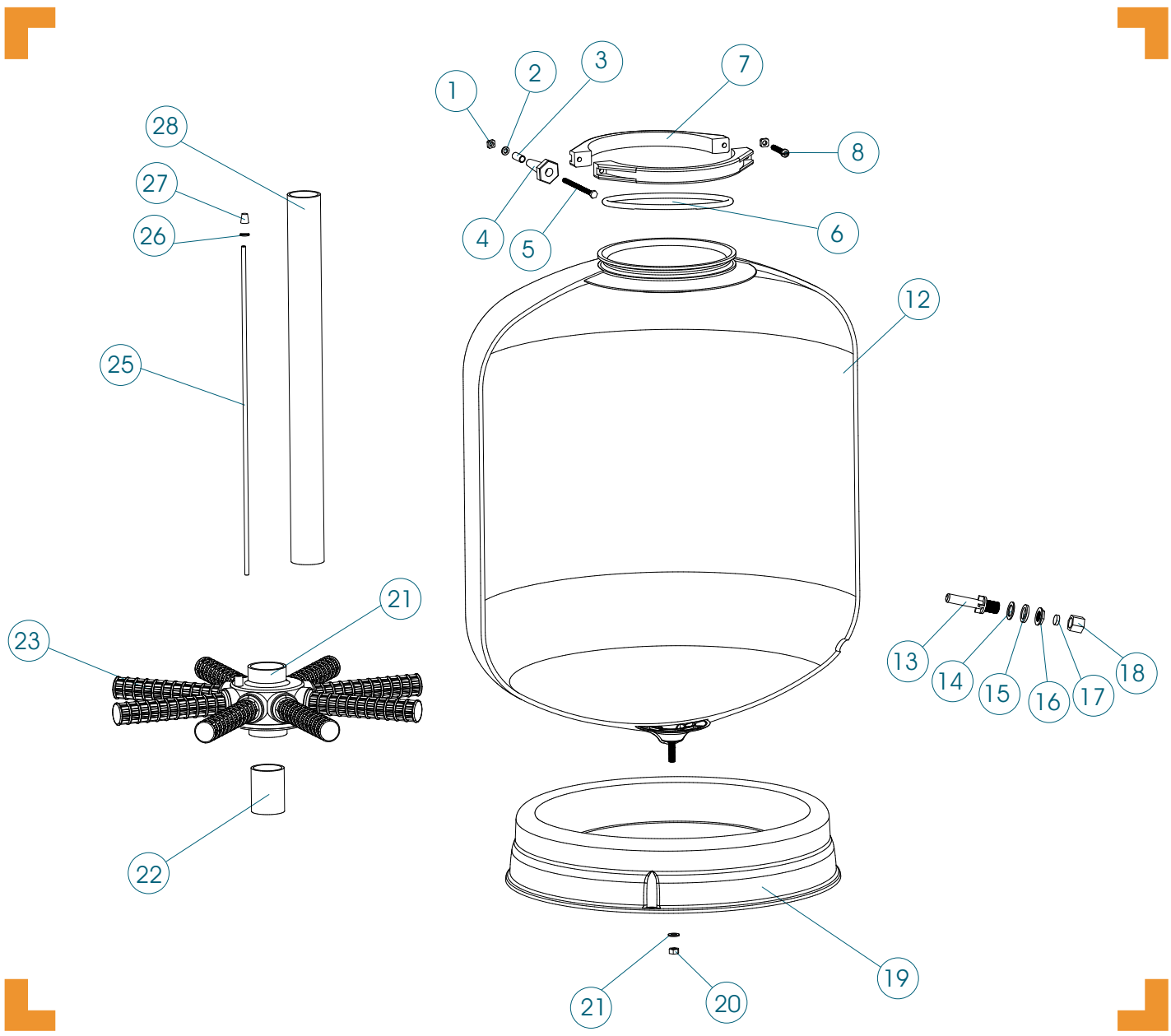
Inner component materials are made of the latest generation of plastic resins.

- Los **filtros de arena BWS** son reconocidos por su resistencia y fiabilidad.
- El interior del filtro es de fibra de vidrio con una alta resistencia a la presión.
- La capa de recubrimiento de gel **coat** se aplica de manera continua y uniforme con hebras de fibra de vidrio para crear un recipiente de alta resistencia.
- Este proceso de fabricación está reconocido como uno de los procesos más sólidos para la fabricación de filtros no corrosivos y con mayor robustez.
- Todos los componentes internos están fabricados con resinas plásticas de última generación.
- La válvula selectora se fija con un sistema de sujeción **clamp** de fácil acople y extracción.
- La presión máxima de trabajo es de 2,5 kgs/cm².
- Los **filtros de arena BWS** se entregan junto con las válvulas de 1,5" o 2" correspondientes.

Todos los componentes están moldeados en plásticos con gran resistencia a la inyección.

Code	Description	ø Filter D mm	Size			Connections	Flow rate m ³ /h	Pool (volume) m ³ (8 hours)	Sand (kgs)	Max working pressure kg/cm ²	Net weight (kgs)
			H mm	M mm	N mm						
03010201	400mm(16") Sand filter with 1.5" valve	400	820	710	650	1.5"	6	48	50	2,5	12
03010202	460mm(18") Sand filter with 1.5" valve	460	840	725	665	1.5"	8	64	75	2,5	15
03010203	500mm(20") Sand filter with 1.5" valve	500	895	785	725	1.5"	10	80	100	2,5	16
03010204	600mm(24") Sand filter with 1.5" valve	600	980	880	820	1.5"	14	112	150	2,5	18,5
03010205	700mm(28") Sand filter with 1.5" valve	700	1040	930	870	1.5"	16	128	200	2,5	20,6
03010206	700mm(28") Sand filter with 2" valve	700	1125	980	900	2"	21	168	200	2,5	20,6
03010207	800mm(32") Sand filter with 2" valve	800	1235	1090	1010	2"	24	192	330	2,5	23,8
03010208	900mm(36") Sand filter with 2" valve	900	1280	1145	1065	2"	24	192	410	2,5	28,6

We reserve the right to change all or parts of the features of the articles or contents of this document, without prior notice.



Code	Spare Parts Code	Description	Quantity	Remark
1	24182-1003M6	M6 Square Nut	2	
2	24182-1003M4	D10*20 Stainless Bush	1	
3	24182-1003M5	D12*1.6 Washer	1	
4	24182S-1003M2	Plastic Handle (White)	1	
	24182-1003M2	Plastic Handle (Black)	1	
5	24182-1003M8	M6*80 Stainless Bolt	1	
6	03010111-0008	O-Ring D170*4.0mm	1	
7	24182S-1003M2	Plastic Handle (White)	2	
	24182-1003M2	Plastic Handle (Black)	2	
8	24182-1003M3	M6*45 Stainless Bolt	1	
13	03010201-0002	Long-Handle Plastic Bolt	1	
14	03010201-0004	Rubber Flat Washer 14.5*4.2	1	
15	03010201-0008	Plastic Gasket D32 Bobbin Filter 16*25*1	1	
16	03010201-0003	Lock Nut. (Zinc Coat)	1	
17	03010201-0005	Rubber Round Washer 16*25*3	2	
18	03010201-0007	1/4" -3/8" Plastic Nut Lid	1	
19	03010201-0009	Filter Base A (Bobbin 400/460/500) White	1	
	03010201-0009B	Filter Base A (Bobbin 400/460/500) Black	1	D400/D460/D500
	03010204-0009	Filter Base B (Bobbin 600) White	1	D400/D460/D500
	03010204-0009B	Filter Base B (Bobbin 600) Black	1	D600
	03010205-0009	Filter Base C (Bobbin 700/800/900) White	1	D600
20	03010205-0009B	Filter Base C (Bobbin 700/800/900) Black	1	D700/D800/D900
	03010200-0027	[DIN934] Nut M8 SS304	1	D700/D800/D900
21	03010101-0017	[DIN125] Flat Gasket Ø8 SS304	1	
22	PIPE50	PVC-U Tube D-50	0.03m	D400/D460/D500
	PIPE50	PVC-U Tube D-50	0.04m	D600
	PIPE50	PVC-U Tube D-50	0.05m	D700
	PIPE63	PVC-U Tube D-63	0.06m	D800
	PIPE63	PVC-U Tube D-63	0.075m	D900
23	06437	Arm Collector 110mm	8	D400/D460/D500
	06436	Arm Collector 175mm	8	D600
	06435	Arm Collector 225mm	8	D700/D800
	03010104-0003	Arm Collector 310mm	8	D900
24	06433	Collector 8 Holes	1	
25	03010101-0011	PVC Tube 620mm*Ø6mm	1	D400/D460/D500/D600
	03010103-0011	PVC Tube 845mm*Ø6mm	1	D700/D800/D900
26	00470-0110	Exhaust Tube Gasket	1	
27	00497-0411	Exhaust Tube Cap	1	
28	PIPE63	PVC-U Tube D-50	0.415m	D400
	PIPE50	PVC-U Tube D-50	0.45m	D460
	PIPE50	PVC-U Tube D-50	0.49m	D500
	PIPE50	PVC-U Tube D-50	0.565m	D600
	PIPE63	PVC-U Tube D-63	0.565m	D700
	PIPE63	PVC-U Tube D-63	0.675m	D800
	PIPE63	PVC-U Tube D-63	0.755m	D900

We reserve the right to change all or part of the features of the articles or contents of this document, without prior notice.